



SE2070

Unlimited Round-Tripping with the RISA-Revit® Link

Matt Brown, P.E.
RISA Technologies

Class Summary

Learn how recent improvements to the RISA-Revit Link have made repeated round-trips a painless process. See how new settings and options can enable you to click the Import/Export button without worrying about the consequences. This class will focus on workflow between your RISA model and your Autodesk® Revit® Structure software model, including how to handle situations where both models are being worked on simultaneously. Special emphasis will be placed on workflow strategies to ensure that both models remain as synchronized as possible throughout the design lifecycle.

Learning Objectives

At the end of this class, you will be able to:

- Transfer RISA models to Revit Structure
- Transfer Revit Structure models to RISA
- Complete multiple round-trips between RISA and Revit Structure
- Avoid common mistakes during repeated round-trips

Integrated Programs

Revit Structure 2013 (Update 2)

RISA-3D v11.0 (Beta)

RISAFloor v7.0 (Beta)

RISA-Revit Link Status

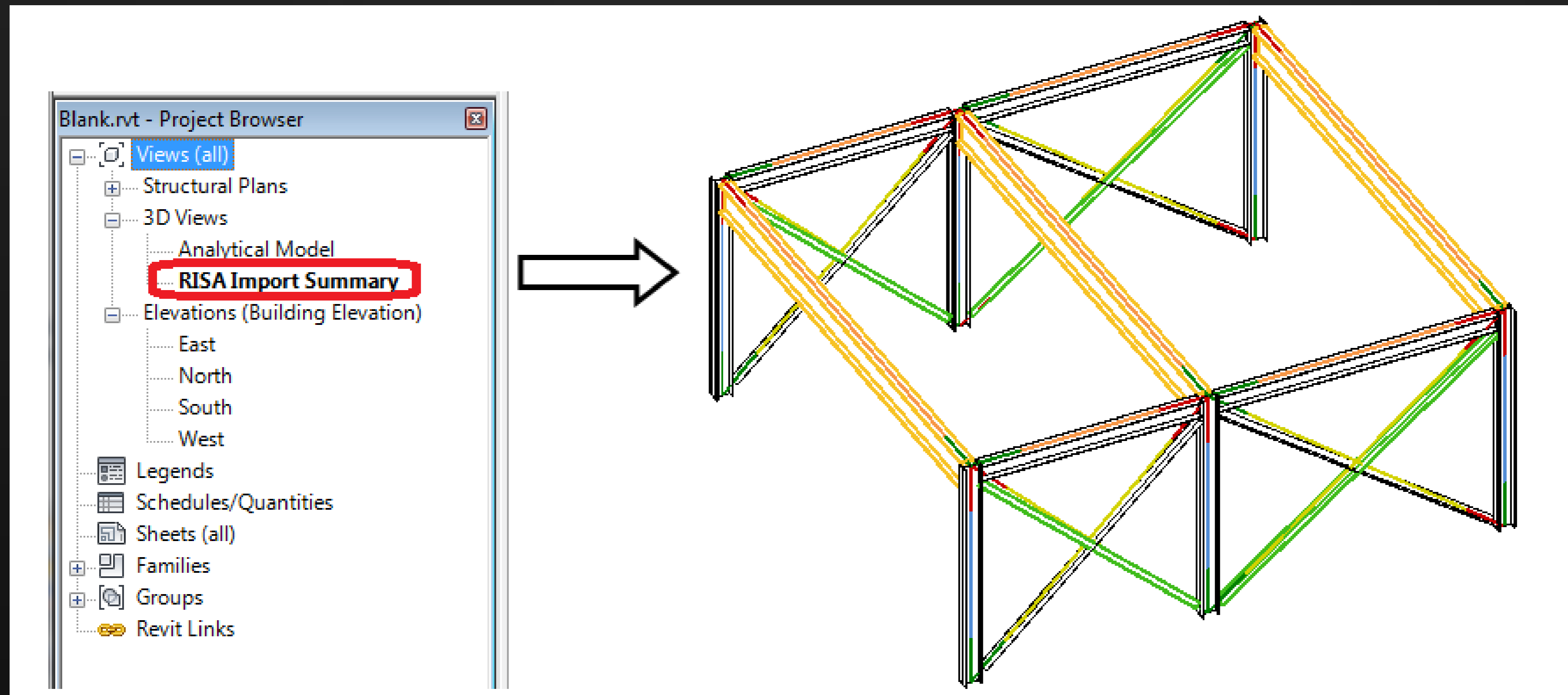
Still Available: **2012 Link**

Current Version: **2013 Link**

Coming Soon: **Enhanced 2013 Link**

What's New (2013 Link)

➤ Graphical Import Summary View



What's New (2013 Link)

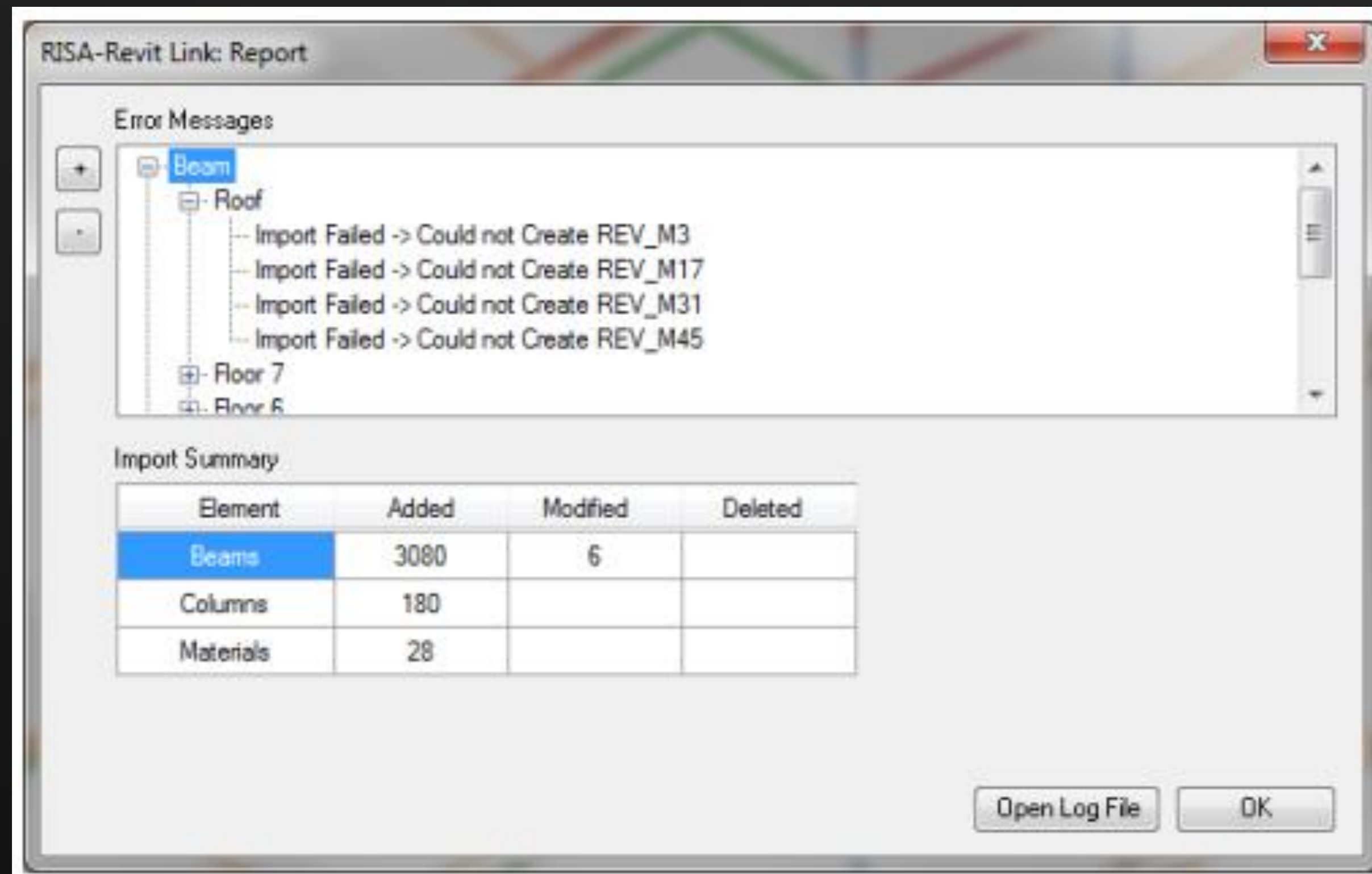
➤ Update only Changed Elements (Import)

When *importing into Revit*, the Link only updates elements that have changed since the last export to RISA.

This enhancement improves the import speed.

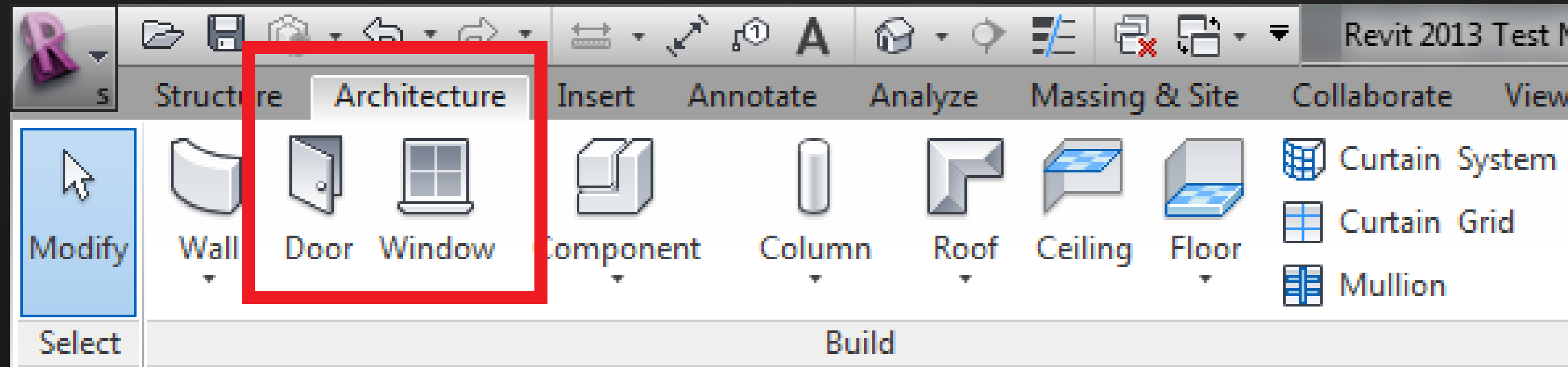
What's New (2013 Link)

➤ Import Report



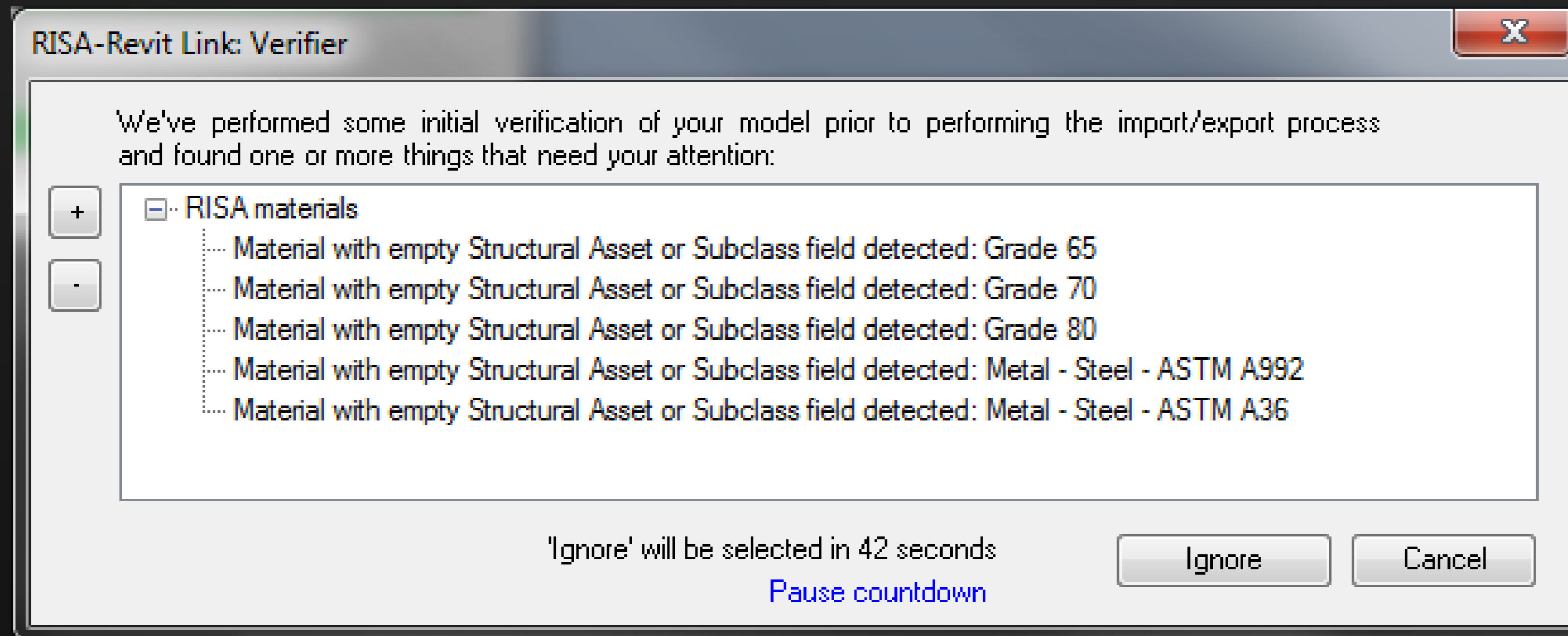
What's New (2013 Link)

➤ Door and Window Openings for Walls



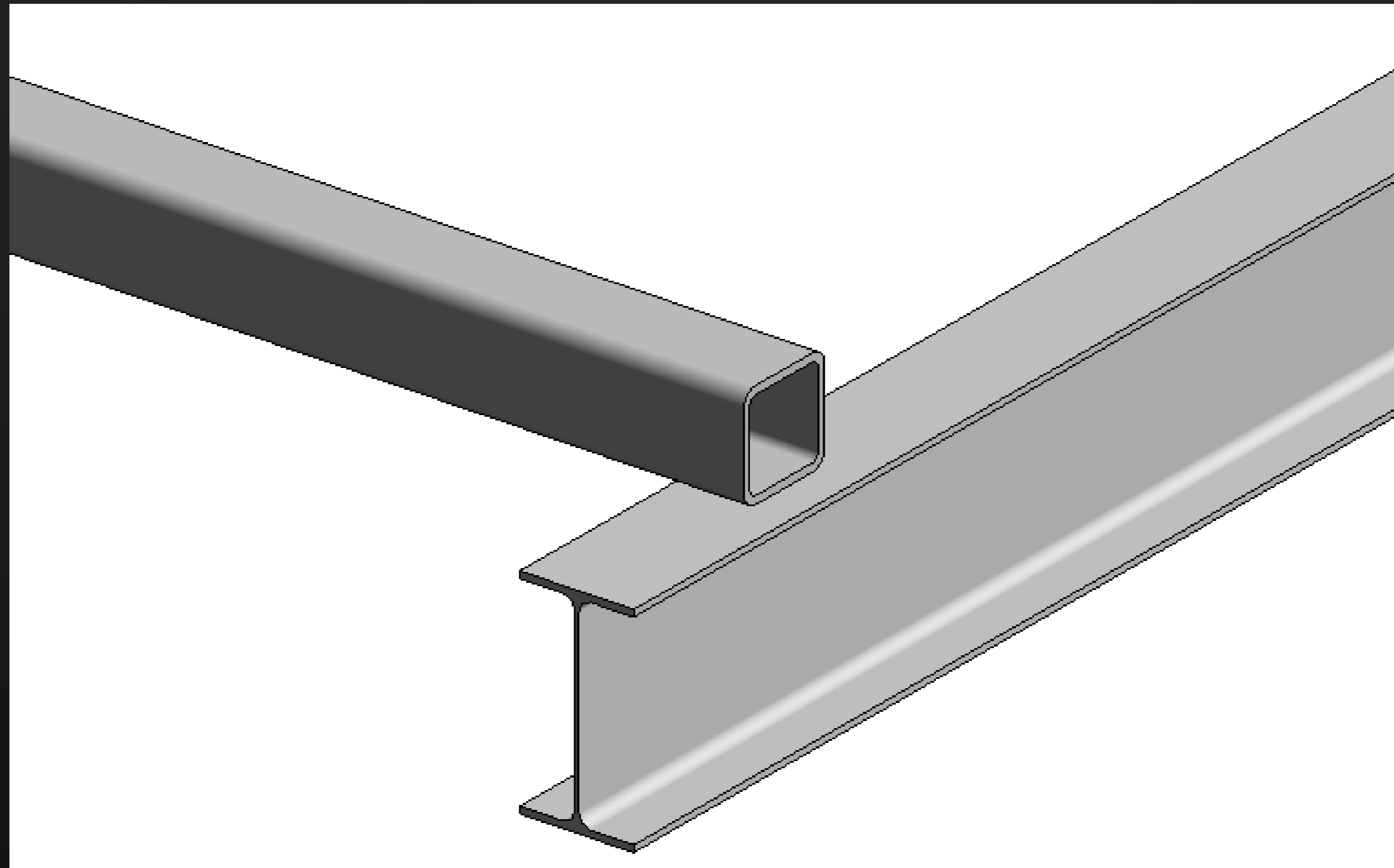
What's Coming Next (Enhanced 2013 Link)

➤ Pre Import/Export Verifier



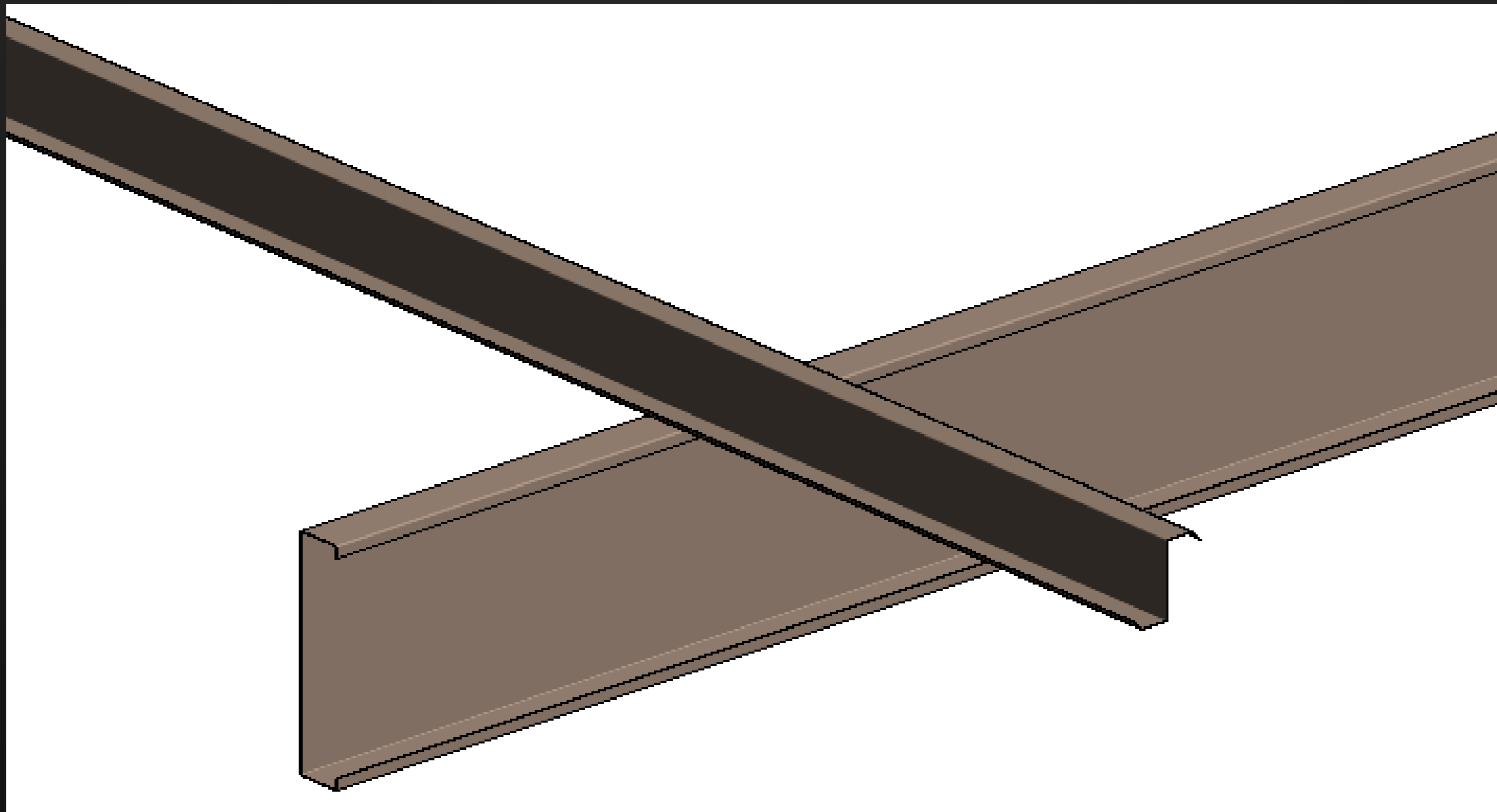
What's Coming Next (Enhanced 2013 Link)

➤ Aluminum Members



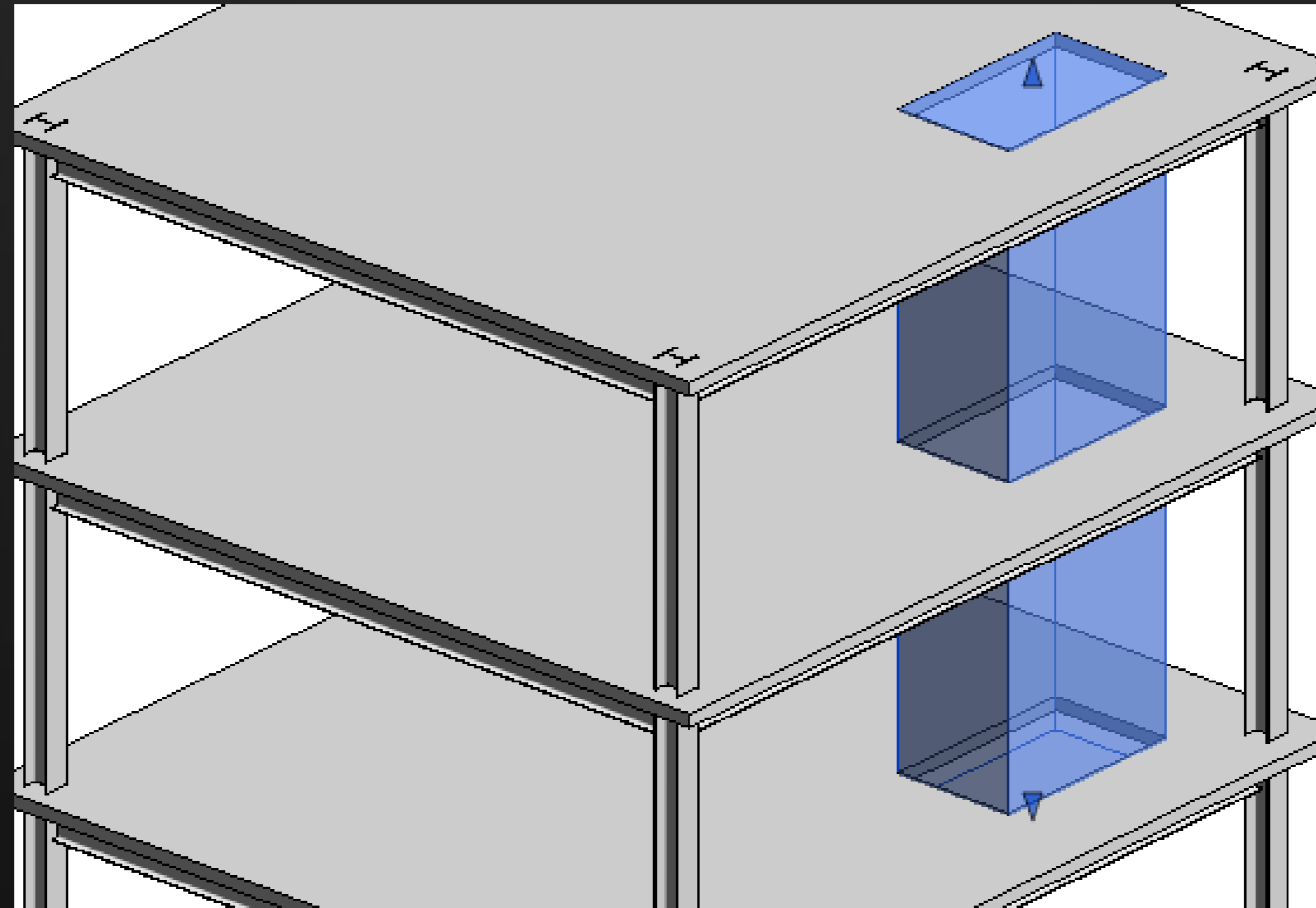
What's Coming Next (Enhanced 2013 Link)

➤ Cold Formed Steel Members



What's Coming Next (Enhanced 2013 Link)

➤ Shaft Openings



What's Coming Next (Enhanced 2013 Link)

➤ Update only Changed Elements (Export)

When *exporting from Revit*, the Link only updates elements that have changed since the last import from RISA.

This enhancement improves the export speed.

What's Coming Next (Release Schedule)

➤ Spring Releases

Adds compatibility with latest Revit version

Adds new features based on new Revit API features

➤ Winter Releases

Adds major new features to existing Revit version Link

Golden Rules of Revit Transfers

Never edit/delete existing RISA elements after exporting to Revit:

Wait until you bring the model back from Revit

This limitation applies to:

- RISA-Revit 2012 Link
- RISA-Revit 2013 Link

Golden Rules of Revit Transfers

Never import to Revit twice in a row:

Between imports there should always be an export

This limitation applies to:

- RISA-Revit 2012 Link
- RISA-Revit 2013 Link
- Enhanced RISA-Revit 2013 Link

