

Feature-based CAD Conversion

Automating the intelligent migration of data to INVENTOR



Support

Native Source Formats

- CATIA V5
- Creo/Wildfire
- NX
- Solid Edge
- SOLIDWORKS

Platforms

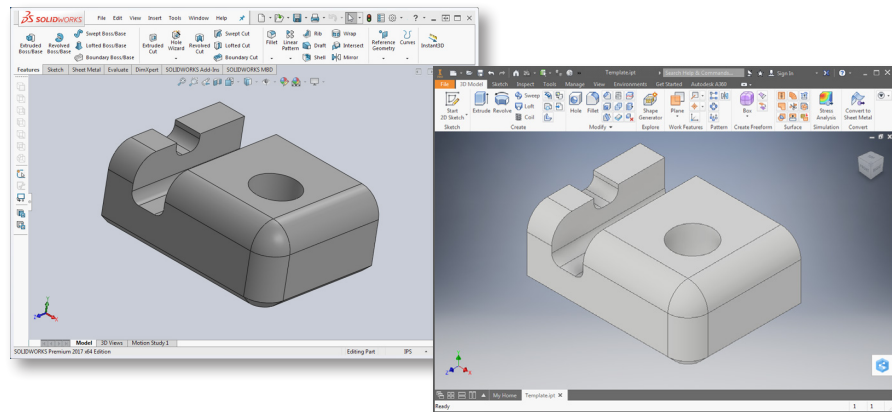
- Windows 7 & 10

GoToINVENTOR is based on ITI's Proficiency software technology, offering feature-based translation that enables the transfer of complete design intelligence between major CAD systems with up to 100% automation and enhanced efficiency.

Maximize CAD data re-use

By providing fully functional models that retain the original product knowledge in INVENTOR, GoToINVENTOR maximizes CAD data re-use and offers a reliable basis for further product design and development.

Geometry, features, history, sketch relations, manufacturing information, metadata and assembly information seamlessly transfer to INVENTOR. GoToINVENTOR can also convert associative drawings along with the linked 3D models in one automated procedure.



GoToINVENTOR Features

- Automatic feature-based conversion of design history, parameters, geometry, sketches, constraints, manufacturing information and metadata
- 3D assembly and model support
- 2D associative drawing support
- Legacy CAD data auditor
- Interactive completion tools
- Conversion validation technology
- Advanced reporting and Q/A
- PLM integration support

With GoToINVENTOR, design teams can easily understand issues related to modeling practices. GoToINVENTOR also offers source data auditing and automated conversion reporting, including feature validation and transaction records.

"At Autodesk interoperability and openness is the heart of our DNA. Together with ITI's extensive know-how, solutions and proven track record, we can offer interoperability that transfers customer assets at an even higher level of data intelligence, in an automated way. This frees up engineering capacity toward new projects, offers better reuse of existing modularization assets, and accelerates corporate harmonization initiatives."

- Karl Osti, Autodesk

About ITI

ITI is the global leader providing reliable interoperability, validation and migration solutions for product data and related systems. Our customers recognize the value in having a trusted solution partner that provides more than just software. ITI solves complex product data interoperability problems so that the world's leading manufacturers can focus on making great products. You need to keep your engineering initiatives moving forward.

Create Momentum

www.iti-global.com
info@iti-global.com
+44 1954 234 300 UK
+49 871 404 75 99 DE

European Headquarters:
4 Carisbrooke Court, Anderson Road
Buckingham Business Park, Swavesey
Cambridge, CB24 4UQ, England

