

No More Tutorials: Time for Real “Blank Sheet of Paper” Design Work

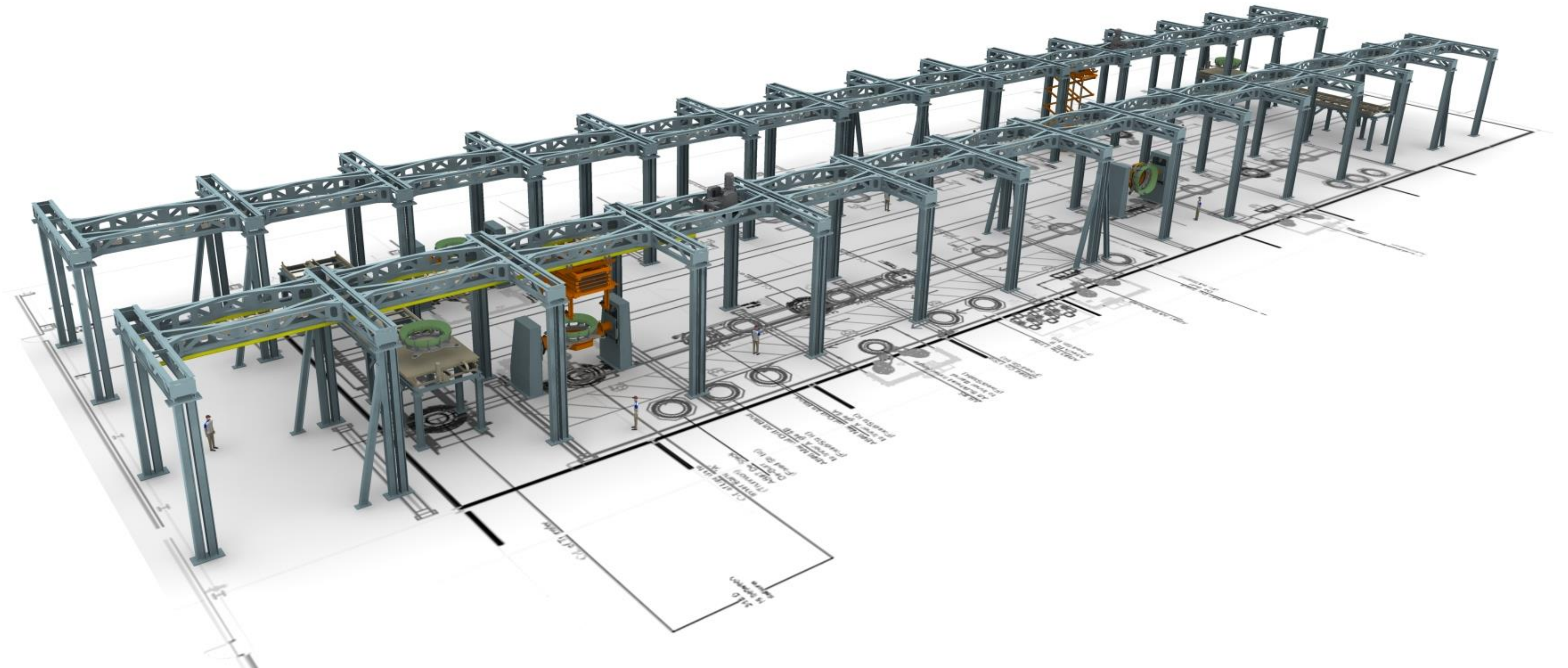
Jeff Miles

Autodesk - Enterprise Manufacturing Specialist

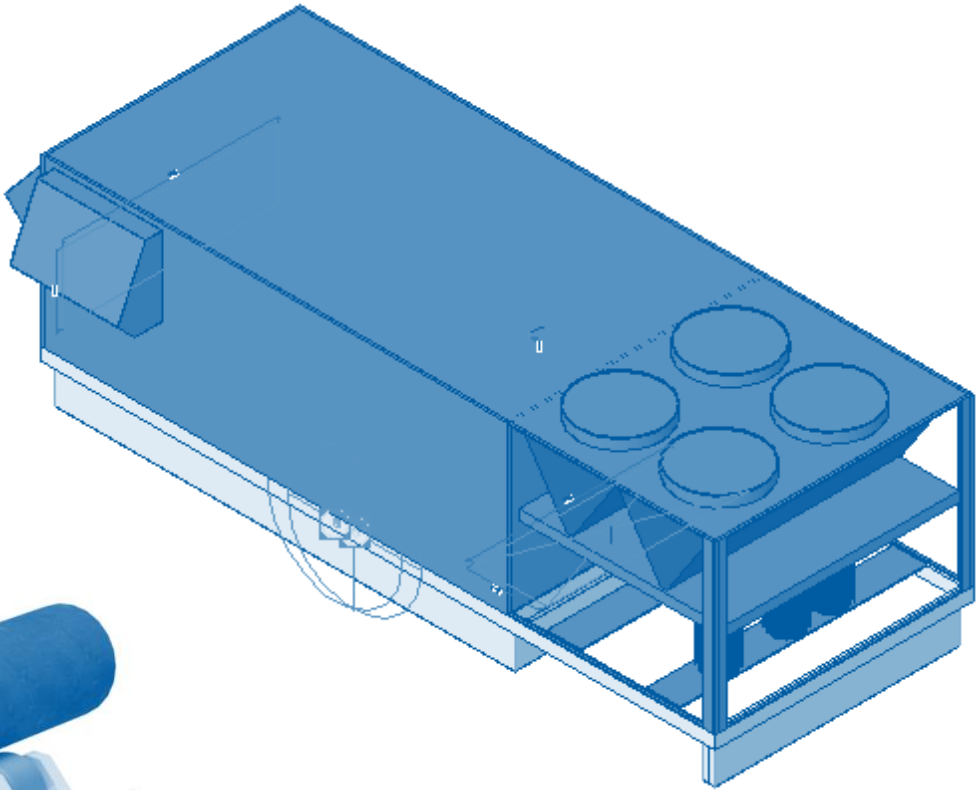
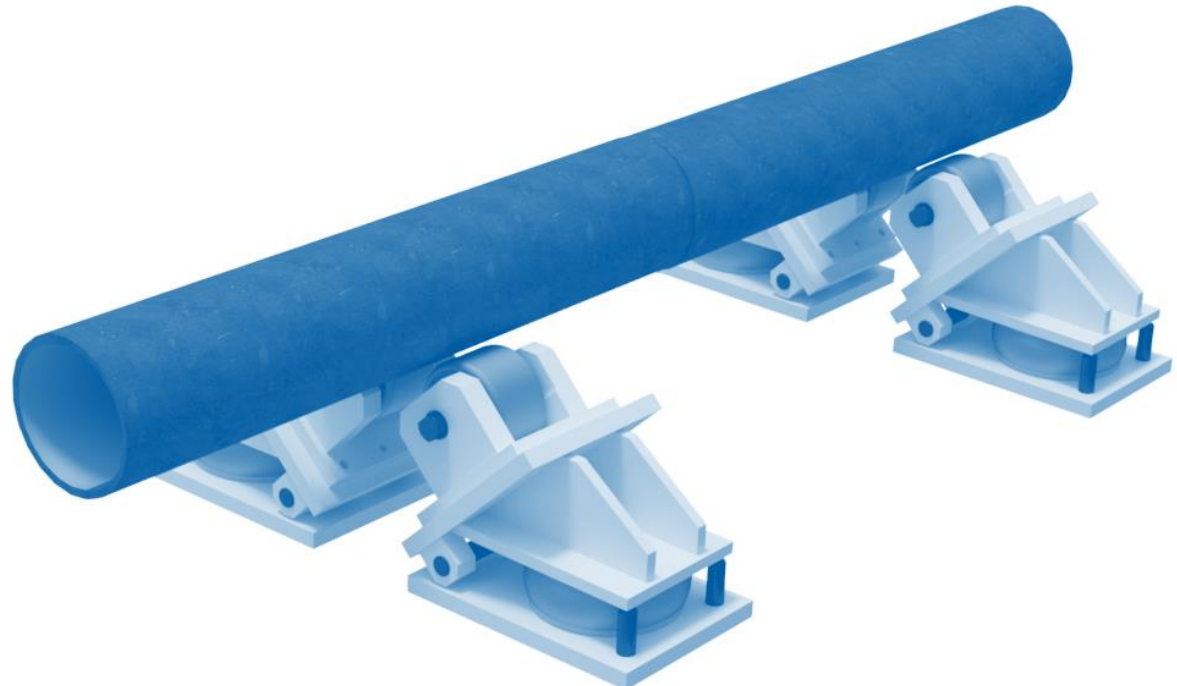
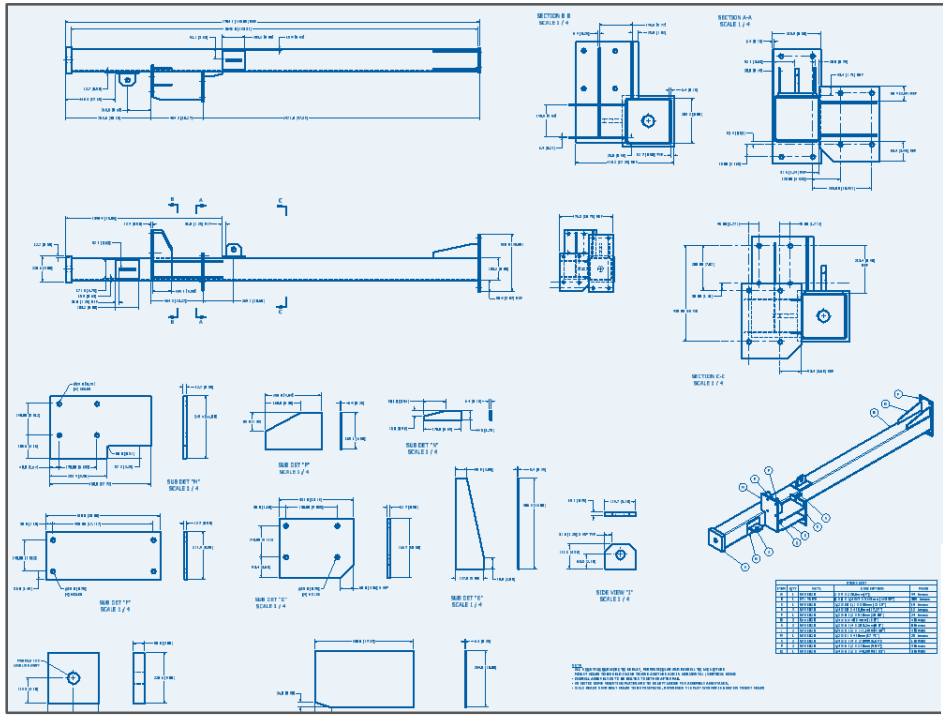
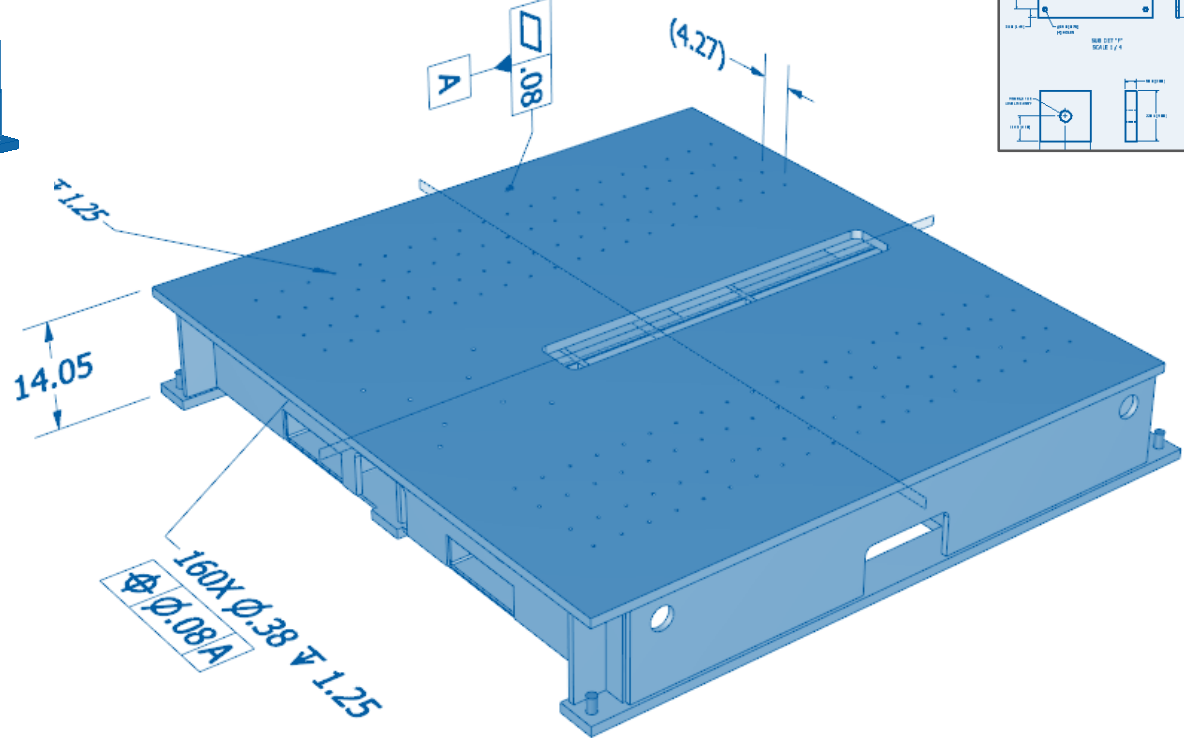
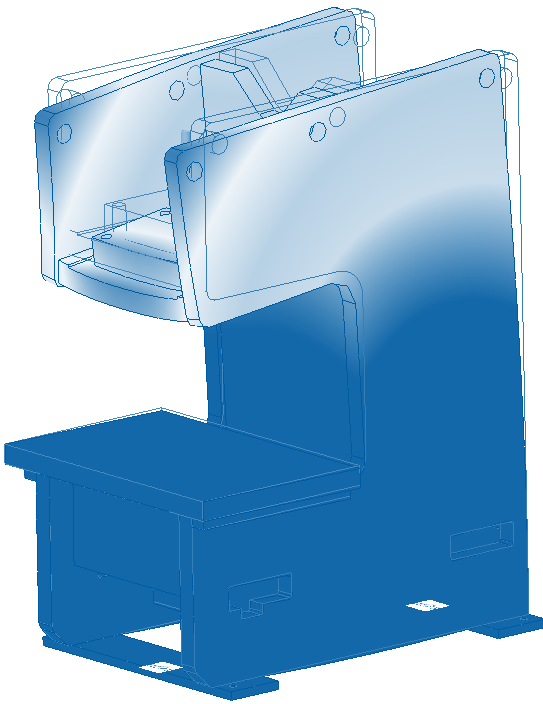
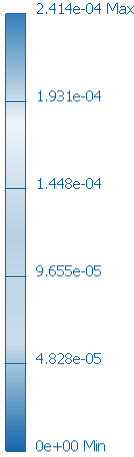
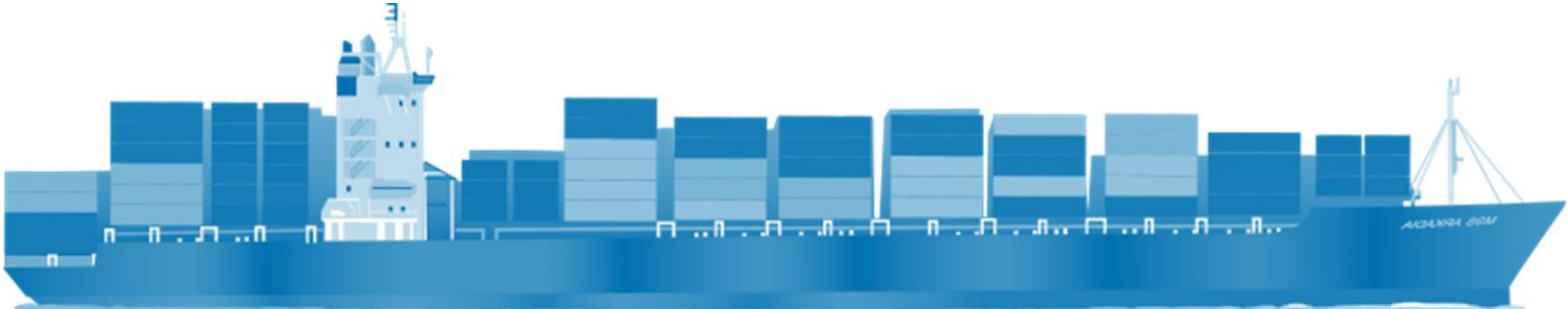


About Me

- My approach and thoughts to the design process



What are you trying to accomplish ?



How do I even start ?



So lets Begin from the image below





AUTODESK®

Make anything™

Autodesk and the Autodesk logo are registered trademarks or trademarks of Autodesk, Inc., and/or its subsidiaries and/or affiliates in the USA and/or other countries. All other brand names, product names, or trademarks belong to their respective holders. Autodesk reserves the right to alter product and services offerings, and specifications and pricing at any time without notice, and is not responsible for typographical or graphical errors that may appear in this document.

© 2019 Autodesk. All rights reserved.

