

PM463709

30 Tips and Tricks with Generative Design in 60 Minutes

Dmytro Mukhin
IT Distribution

Learning Objectives

- Learn about generative design
- Learn how to prepare 3D models
- Learn how to analyze results
- Learn about simulations

Description

30 tips and tricks in 60 minutes will save a lot of time in the future when using Fusion 360 software and the Generative Design in Fusion 360. This class can help beginners in 3D modeling understand the benefits gained from Generative Design in Fusion 360. Basic-level users will up their own levels in preparing 3D models for Generative Design in Fusion 360. High-level users in 3D modeling and simulation will know some tricks from manufacturing. After this demo, designers and engineers will be able to do projects for and with Generative Design in Fusion 360 faster and more effectively.

Speaker

I am Engineer Autodesk at IT Distribution company (Distributor of Autodesk software). Fusion 360 Catalyst at Autodesk from 2017 to 2020. Autodesk Student Ambassador Alumni Student Expert from 2013 to 2016. Autodesk Expert Elite from 2015 to 2016 and Community Manager of Autodesk products Users in CIS from Aug 2016 to Jun 2017 Fusion 360 board. Have experience engineer-designer category III of State Enterprise "Kharkov Aggregate Design Bureau" 2014-2015. Certified Inventor Professional 2014/2015. Certified Fusion 360 User. Fusion 360 authorized trainer MUK Computers. Speaker at Autodesk University Russia 2013-2018 and Autodesk University Las-Vegas 2018 and one of organizers "Fusion 360 Design Slam" AURu 2017-2019 and "Infraworks & Revit Design Slam" AURu 2019. I like make things using Fusion 360 and some tools with makers! Creator of Facebook page [@Invenror In Ukraine](#).

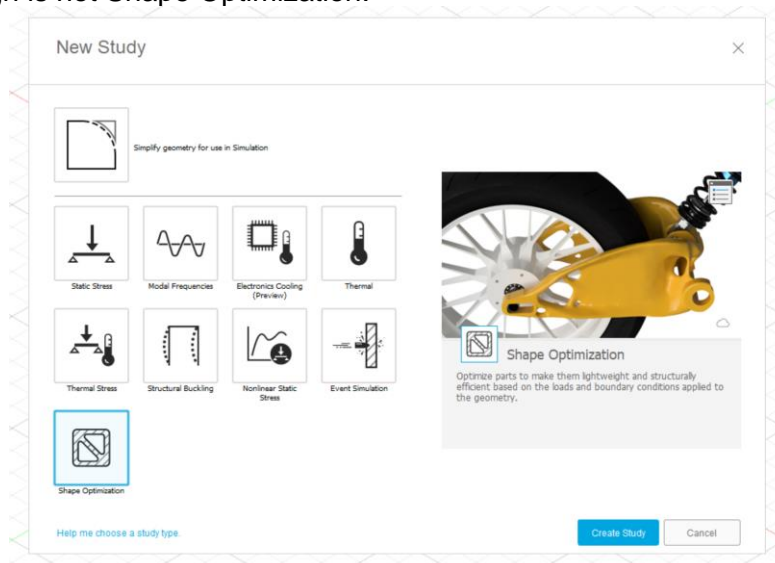


Autodesk Generative Design

Generative Design is in Fusion 360. And Fusion 360 is integrated CAD, PCB, CAE and CAM on a single development platform. Also includes EAGLE Premium, HSMWorks, Team Participant, and access to consumptive services, such as cloud simulation, cloud rendering and generative design.

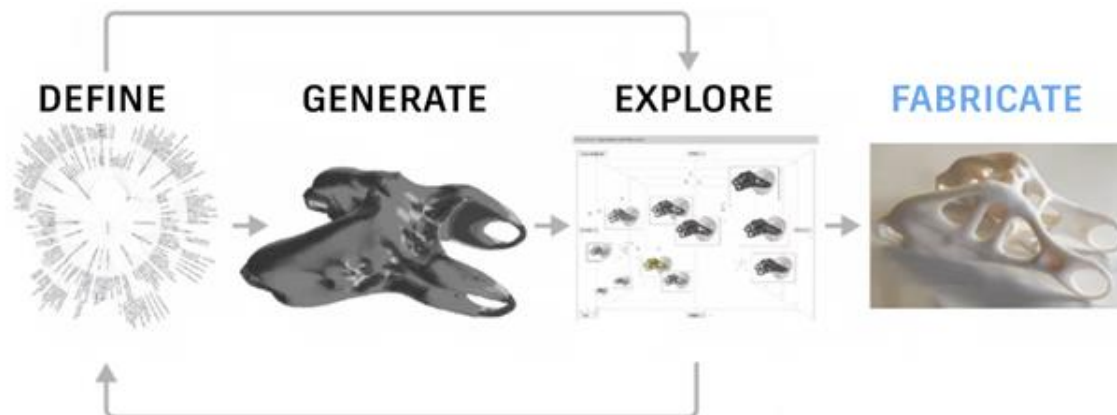
Learn about Generative Design

Someone think that GD is Shape Optimization, but it is not the same. Generative Design is not Shape Optimization.



Shape Optimization is NOT Generative Design

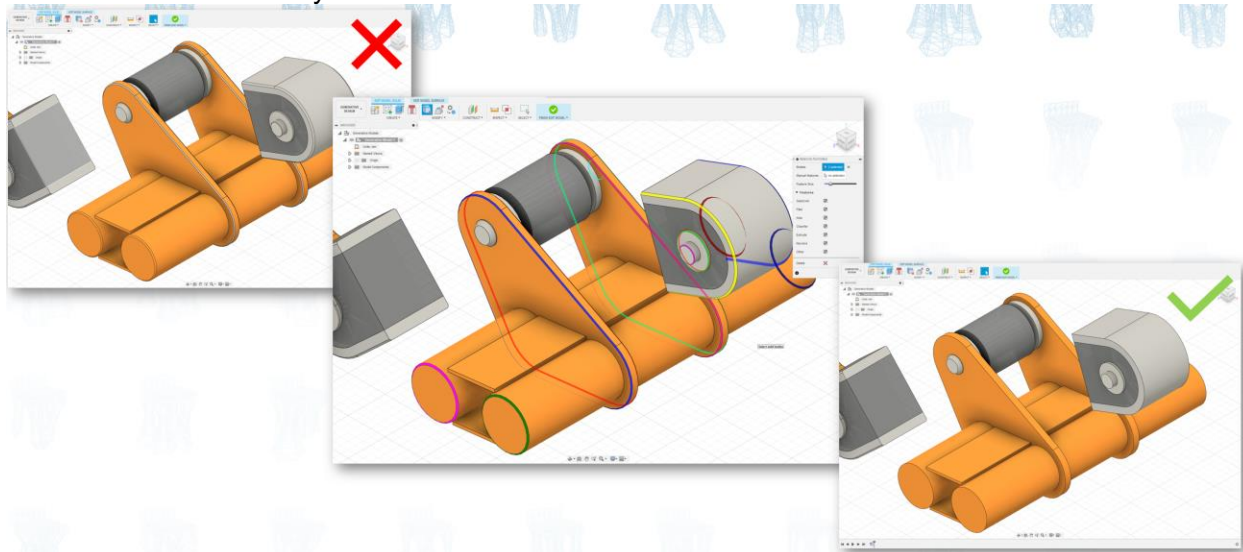
Generative Design enables you to define a design problem through goals and constraints and generate a set of designs that meet the requirements. Then you can explore the designs to select the optimal one for manufacture.



Generative Design is one of the best time saver for Engineers

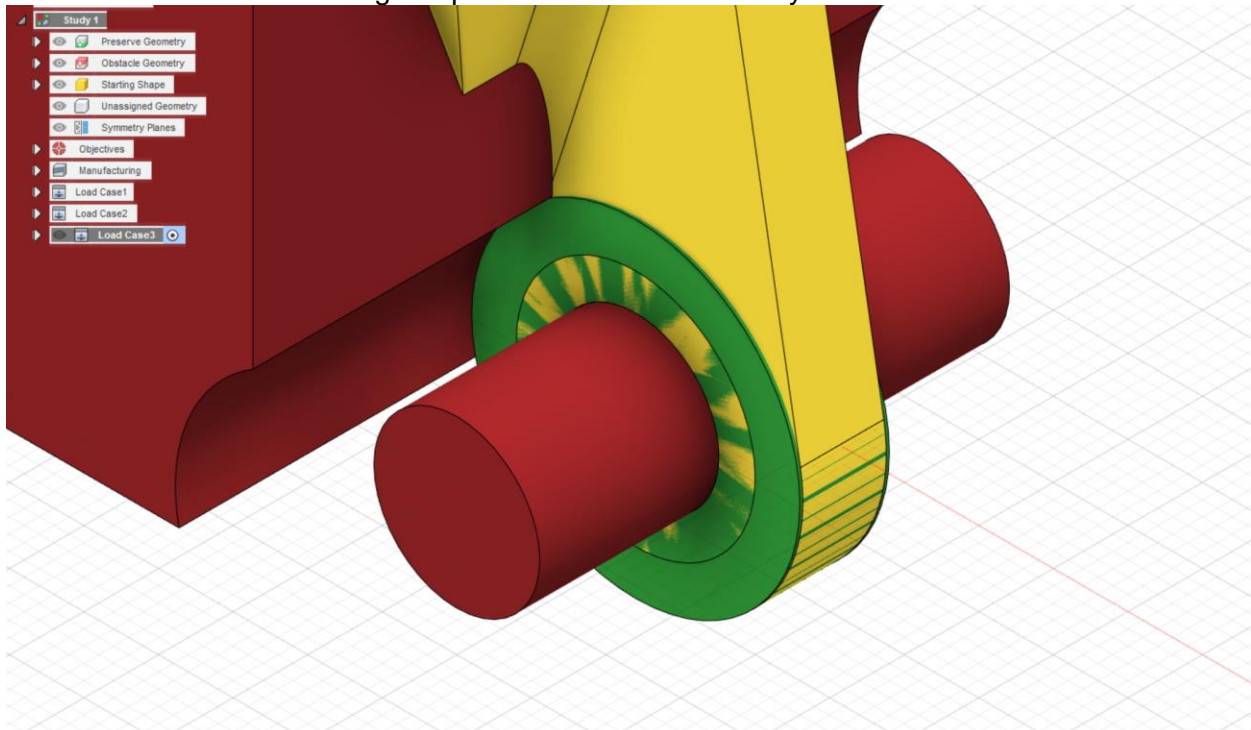
Learn how to prepare 3D models

Remove all unnecessary!



Use right tools for preparing 3D-model for Generative Design

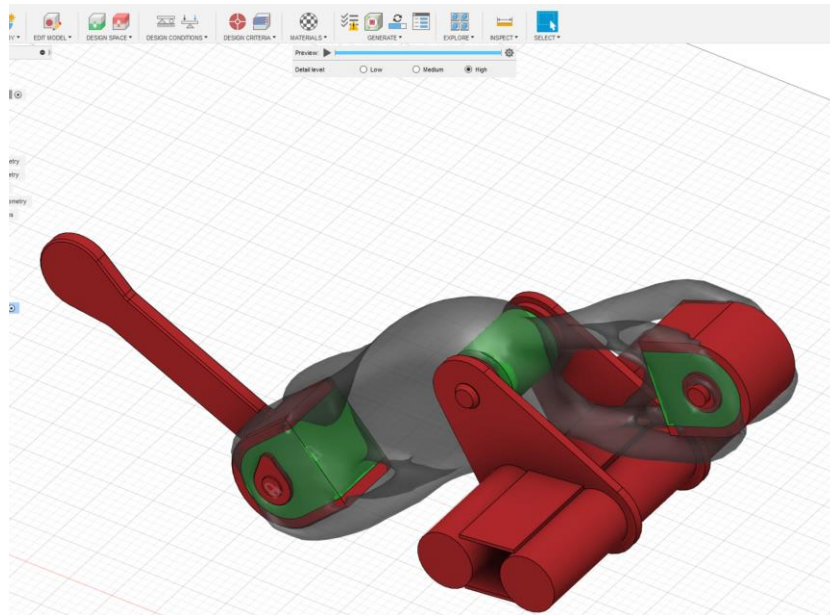
Interference between Starting Shape and Preserve Geometry is OK.



Generative Design is not the same with traditional Design

Learn how to analyze results

Try preview tools before full Generative Design solving process.



Preview tool for Generative Design

Explore the iterations. Compare results, discover outcomes and make all for the best and fastest engineering process.



Generative Design is not a finish of Engineering.

Join Class “30 Tips and Tricks with Generative Design in 60 Minutes” to learn more useful information about Autodesk Generative Design.